

# An Integrated RGB Engine for the New Generation

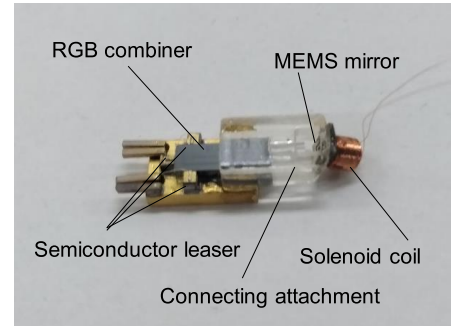
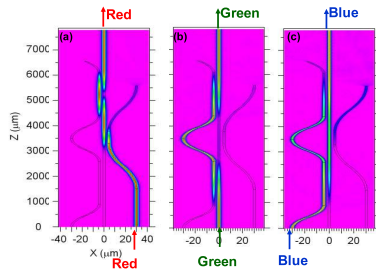
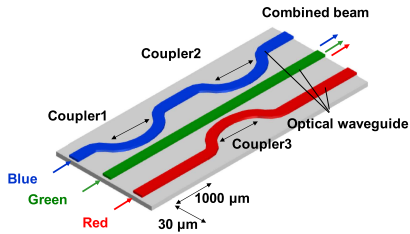
Creating an Innovative Optoelectronics Industry by a Light-controllable 'One-chip' Device

## Integrated RGB Engine<sup>®</sup> (Ultra-small Integrated Optical Engine)

- Demonstrating the world's first RGB combiner comprising optical waveguides.

Patent registration no.: 5817022 Other

FT-GoHAR<sup>™</sup>  
Fuku, Triple waveGuide Optical chip for HAARmonically arranged light emitting unit



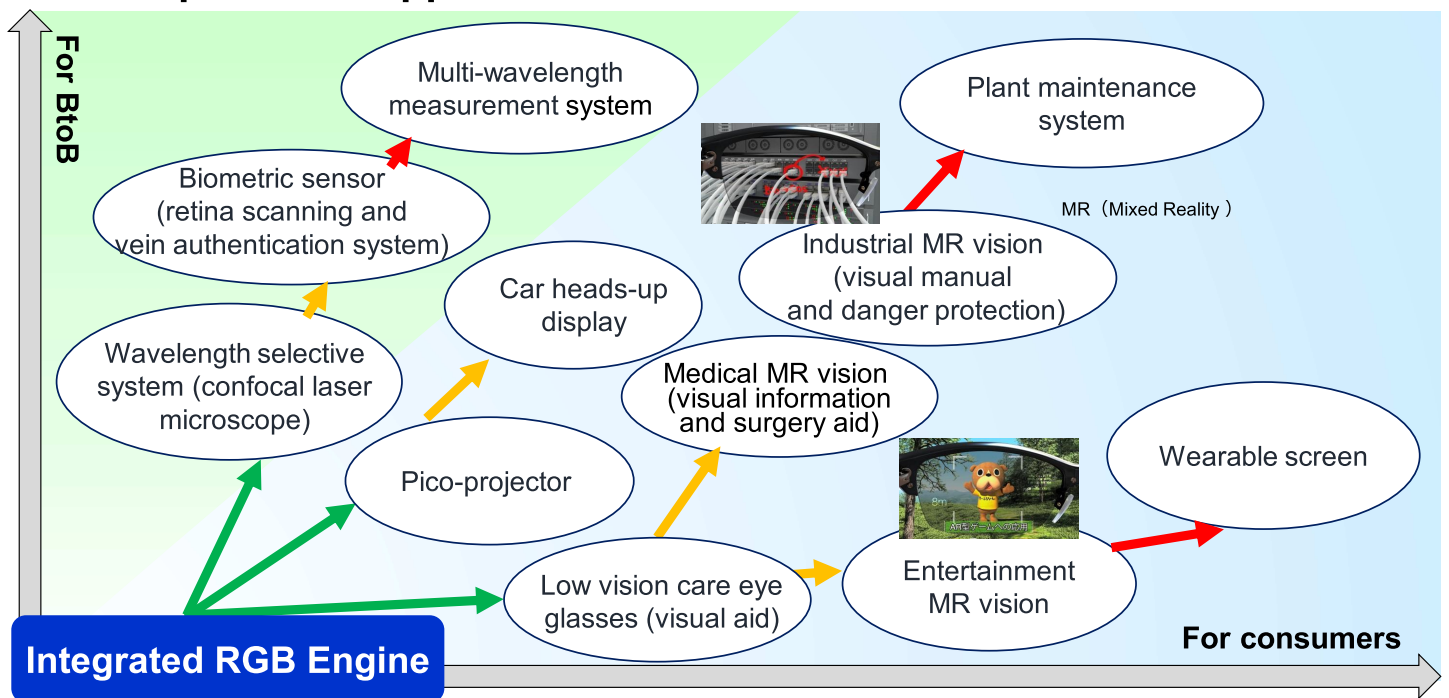
An optical waveguide-type combiner

Light beam transmission path

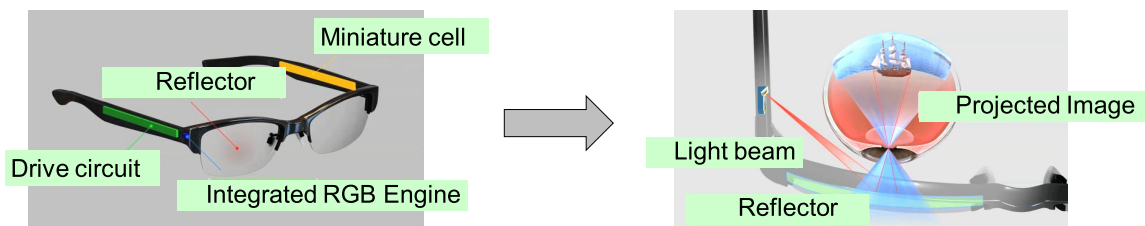
Integrated RGB Engine prototype

## Expanding the optical application

- Development of applications



- Loading an Integrated RGB engine on the eye wear display



This project is supported by the Program for Building Regional Innovation Ecosystem (MEXT).

Contact : SEIREN KST Corp. Optical Product sales-kst@kst.seiren.com +81-776-41-8684

**KST**  
SEIREN KST Corp.

※The product is manufactured and sold by SEIREN KST using patented technology of University of Fukui.